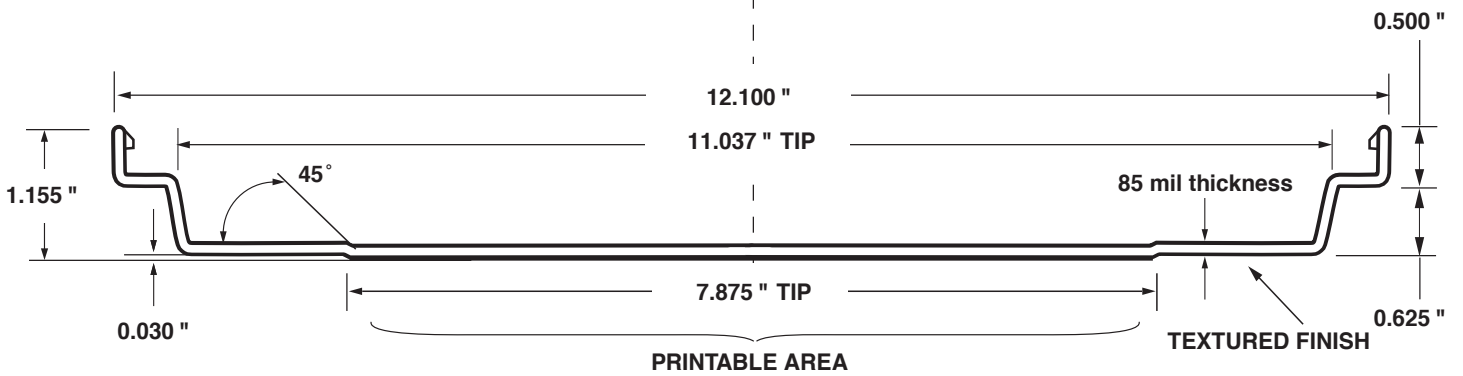
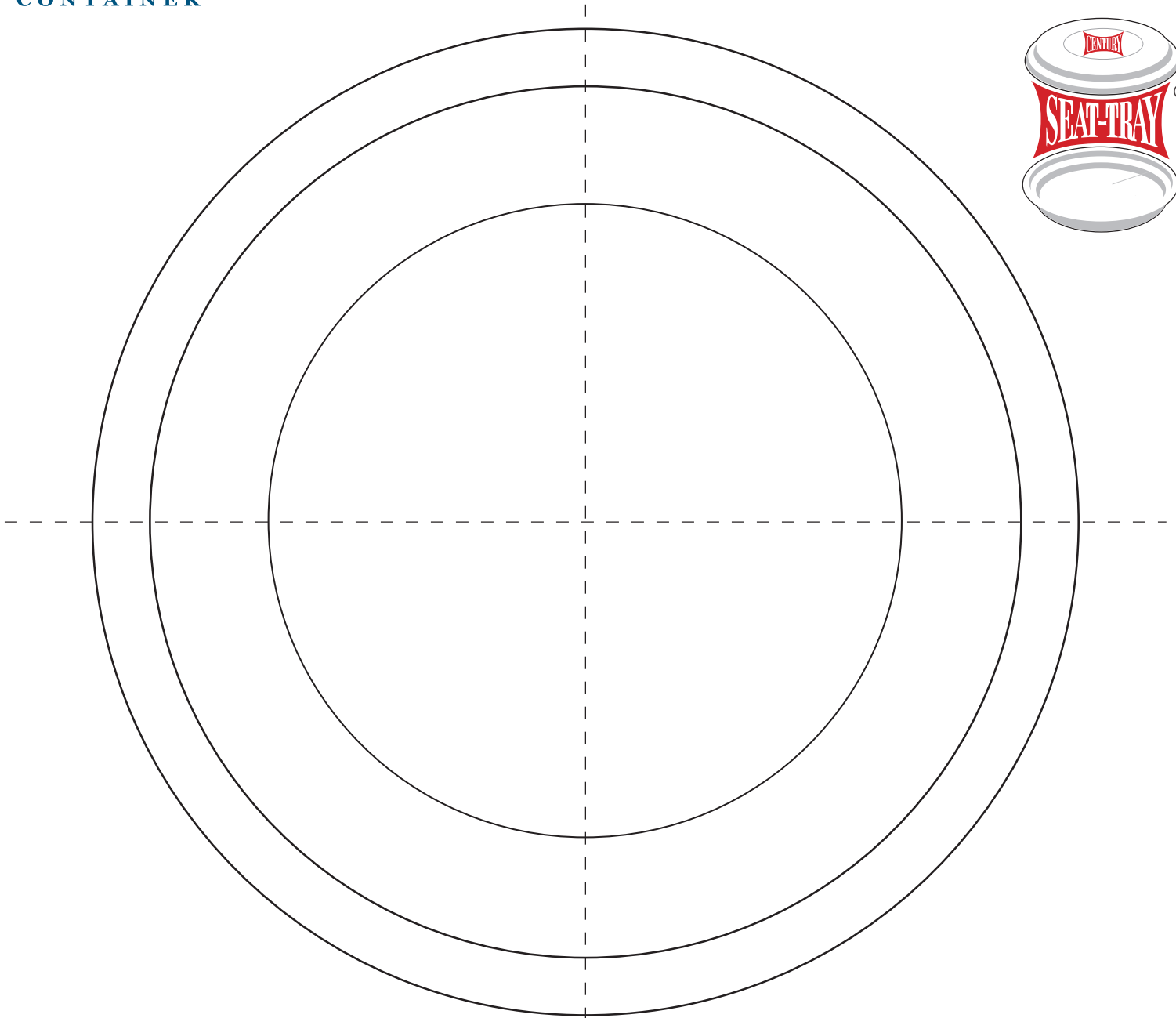




Seat-Tray Lid

PART NO.: 205880

DATE: JULY 2010





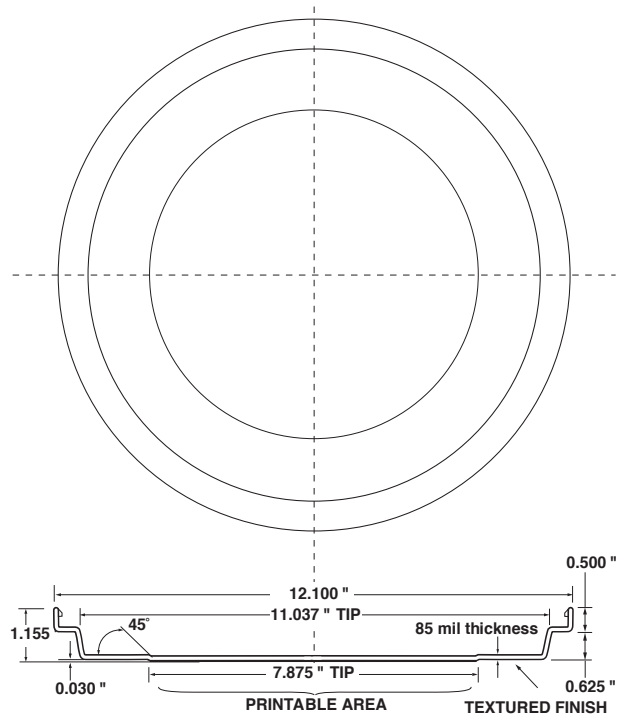
Engineering Specification

CAVITY 80 PART NUMBER: 205880

Seat-Tray Lid

SPECIFICATIONS

Top Outer Diameter: 12.100"
 Top Out of Round: 1/8" max
 Height: 1.155"
 Wall Thickness: .085"
 Weight: 190 grams



COMPONENTS

Resin: Prime High Density Polyethylene (HDPE)
 Color: Per customer spec

PRINT SPECIFICATIONS

Offset Printing Area: 7.875" diameter circle in center of lid.
 Three color maximum. All lids are shipped flame-treated.

STANDARD PACKAGING

504 per pack (12 stacks of 42 each).
 Trays on top and bottom with stretch wrap.
 Applied label shows Part Number and Color, Date, Packaging Quantity, Shift.
 Package Dimensions: 37" x 49" x 20"
 Weight: 211 lbs. Bulk Density: 10.04 lbs./cubic ft.

OPTIONS

FDA 21 CFR 177.1520(c)3.2(a)
 European Union 2002/72 EC

CORRESPONDING PAILS

Part #	Description
203105	3.5 Gallon Pail
203106	3.9 Gallon Pail
205112	Short 5 Gallon Pail
205120	5 Gallon 70 mil Pail
205122	5 Gallon Standard Pail
205140	5 Gallon Pail
206146	6 Gallon Pail
205148	20 Liter Pail

LID OPTIONS

N/A