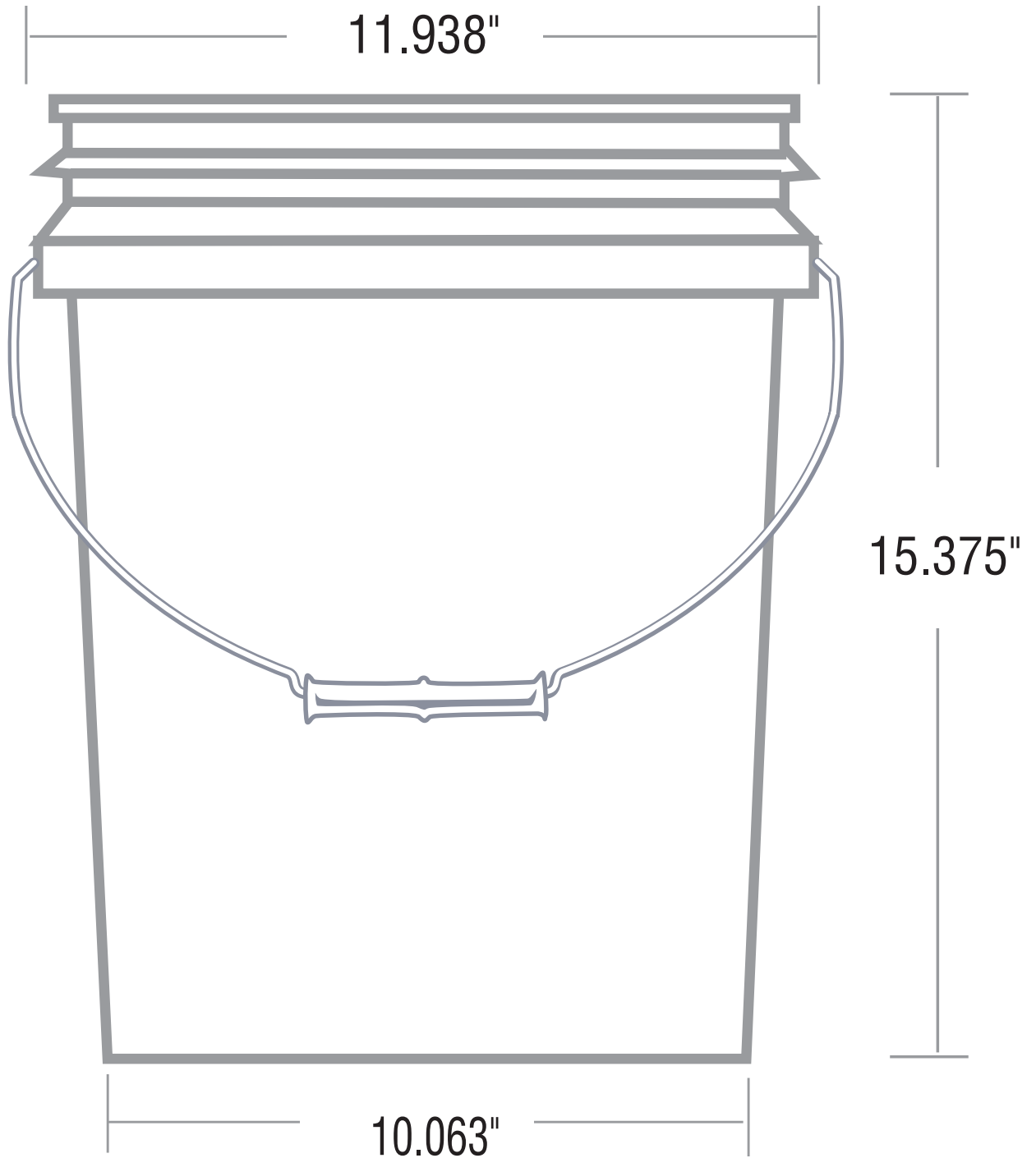




PART NO.: 205148

20 Liter Open Head Plastic Pail





Engineering Specification

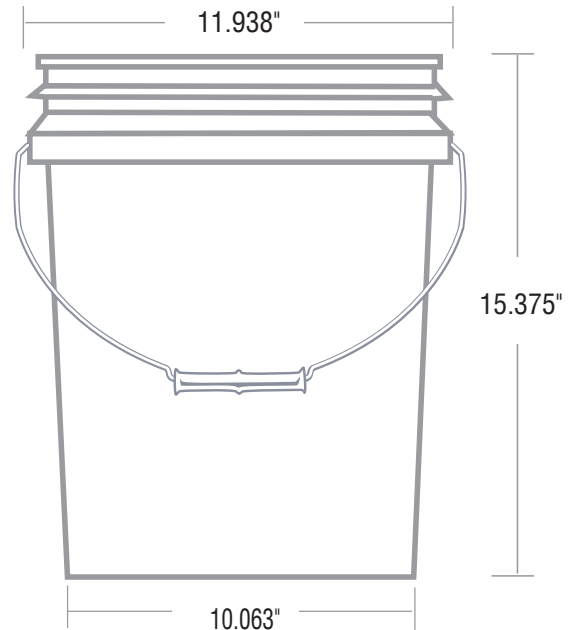
CAVITY 48

PART NUMBER: 205148

20 Liter Open Head Plastic Pail

SPECIFICATIONS

Top Outer Diameter: 11.938" +/- 0.031"
 Top Out of Round: 0.125" max
 Height: 15 3/8" +/- 0.125"
 Wall Thickness: 90 mil
 Weight: 1000 grams +/- 5 grams
 Overflow Capacity: 22.75 liters



COMPONENTS

Resin: Prime High Density Polyethylene (HDPE)
 Color: Per customer spec
 Handle: 9 gauge galvanized wire with injection molded no-mark plastic grip

PRINT SPECIFICATIONS

Offset Printing Area: 10" x 34"
 Four color maximum.
 All pails are shipped flame-treated.

STANDARD PACKAGING

156 per pack (12 stacks of 13 each).
 Packed alternately one stack up, one stack down.
 Trays on top and bottom with stretch wrap.
 Applied label shows Part Number and Color, Date, Package Quantity, Shift.
 Package Dimensions: 37" x 49" x 49"
 Weight: 364 lbs. Bulk Density: 7.11 lbs./cubic ft.
 Truckload Quantities: 11,424 (pails only); 8,568 (w/ long skirt lid); 8,904 (short skirt lid)

OPTIONS

FDA 21 CFR 177.1520(c)3.2(a)
 European Union 2002/72 EC
 U.N. Certification 1 H2/Y1.5/30 (used in conjunction with 205641-04)
 U.N. Certification 1 H2/Y30/S (used in conjunction with 205641)

CORRESPONDING LIDS

Part #	Description
205641	U.N. Rated Lid
205667	Short Skirt w/ Gasket
205973	Short Skirt EZ Tear w/o Gasket
205775	Short Skirt w/o Gasket
205876	Long Skirt EZ Tear w/ Gasket
205877	Long Skirt Tear-Tab w/ Gasket
205879	Long Skirt Tear-Tab w/ Gasket
205880	Seat Tray
205990	Top Hat

LID OPTIONS

For Gasket Lids:
 Rieke Spout
 Rieke Jr.
 Tint Plug
 Screw Cap
 Screw Cap w/ Tint Plug
 Poly Vent
 Buna Vent