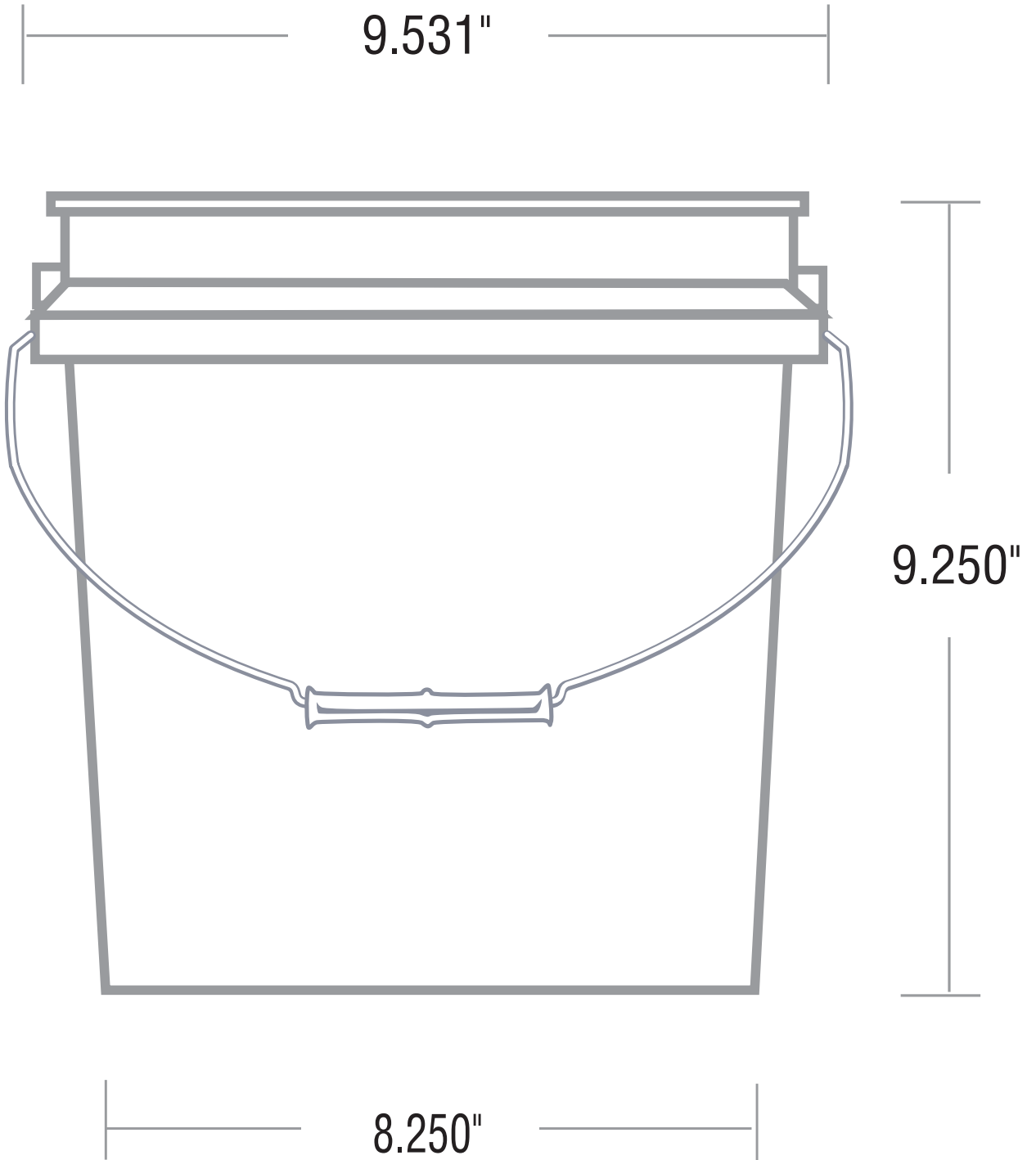




PART NO.: 202104

2 Gallon Open Head Plastic Pail





Engineering Specification

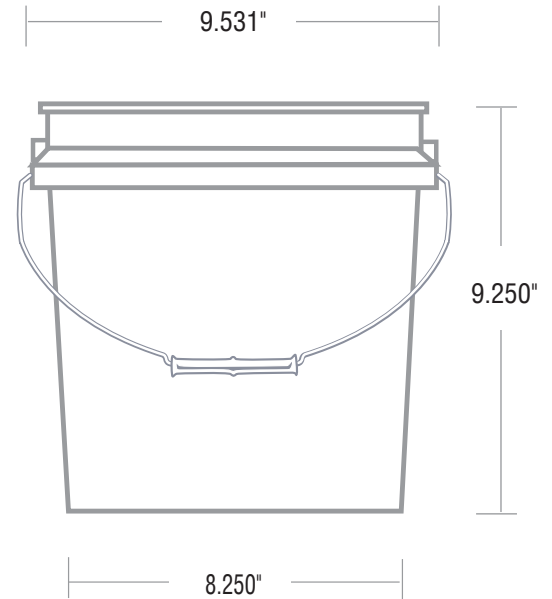
CAVITY 04

PART NUMBER: 202104

2 Gallon Open Head Plastic Pail

SPECIFICATIONS

Top Outer Diameter: 9.531" +/- 0.031"
 Top Out of Round: 0.125" max
 Height: 9.250" +/- 0.125"
 Wall Thickness: 65 mil
 Weight: 340 grams +/- 5 grams
 Overflow Capacity: 2 gallons 64 ounces



COMPONENTS

Resin: Prime High Density Polyethylene (HDPE)
 Color: Per customer spec
 Handle: 10 gauge galvanized wire with injection molded no-mark plastic grip

PRINT SPECIFICATIONS

Offset Printing Area: 6 1/4" x 28 1/4"
 Four color maximum.
 All pails are shipped flame-treated.

STANDARD PACKAGING

234 per pack (18 stacks of 13 each).
 Pails packed top side up.
 Trays on top and bottom with stretch wrap.
 Applied label shows Part Number and Color, Date, Package Quantity, Shift.
 Package Dimensions: 37" x 49" x 33 1/2"
 Weight: 204 lbs. Bulk Density: 5.81 lbs./cubic ft.
 Truckload Quantities: 18,252 (with Cavity 54 lid).

OPTIONS

FDA 21 CFR 177.1520(c)3.2(a)
 European Union 2002/72 EC

CORRESPONDING LIDS

Part #	Description
202554	Tear-Tab with Gasket

LID OPTIONS

Rieke Jr.
 Tint Plug